

ORWAK[®]
**Environmental
Services Ltd.**

Model 4100

Benefits

- Savings on your waste collection
- Tidy premises
- Space saving



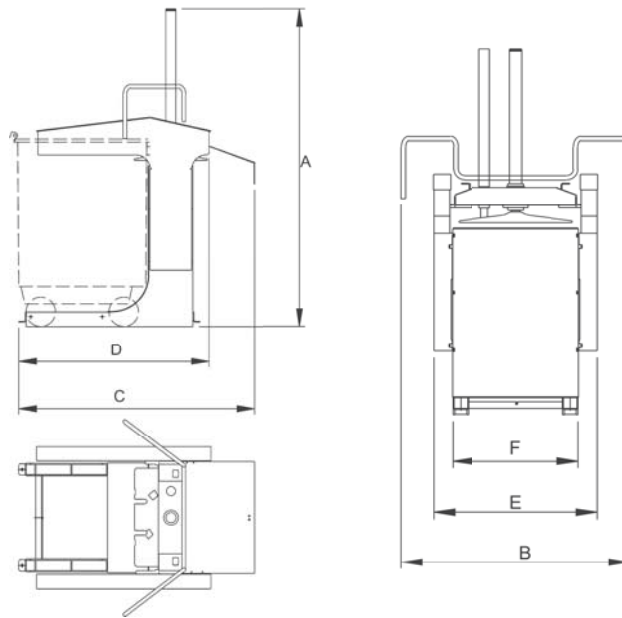
COMPACTOR

Model 4100

- The safest in-bin compactor in sector
- Fully guarded and interlocked
- Fits various bin systems and sizes



- A= Min 2200
Max 2400
- B= 1342
- C= 1500 – 1600
- D= 1290
- E= 964
- F= 744



VOLTAGE	FUSE	MOTOR	IP
1 phase, 230 V, 50 Hz	10A	0.75 kW, 2780 rpm	55

Example:

Total savings:

Number of Uplifts:

Cost:

Comparison:

TECHNICAL SPECIFICATIONS

CYCLE TIME

41 secs

WEIGHT

Machine: approx. 550 Kg

TOTAL HEIGHT

Adjustable from about
min 2200 - max 2400 mm

TRANSPORT HEIGHT

Varies from about
min 2200 - max 2400

BIN VOLUME

Adjustable step-by-step
from 660-1100 litres

GROUND COATINGS

Anti-corrosive primer

TOPCOAT

Two part paint and powder coat.

HYDRAULIC DATA

Working pressure: 110 bar
Relief pressure: 130 bar
Cylinder stroke length: 790 mm
Oil volume: 5 litre

RECOMMENDED OIL: TEMP > 0°C

ISO VG 68

RECOMMENDED OIL: TEMP < 0°C

LE 6520 (SAE 5W-20) +
Heating cable

ELECTRICAL DATA

Standard: 1 phase, 230 V, 50 Hz,
10 A, IP 55 Non-standard: see machine
identity plate

PRESS FORCE

30000 N (3 ton)

NOISE LEVEL

< 70 dB (A)

Orwak Environmental Services Ltd,
Unit 6, Alpha Industrial Park, Bevan Way, Smethwick B66 1BZ
Tel: 0121 565 7426 Fax: 0121 565 7427

Email: orwaksales@pws.co.uk Website: www.orwak.co.uk